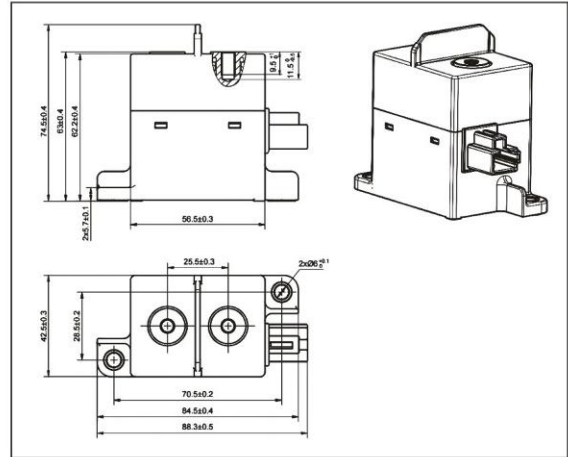


# SHEV250

Ceramic Seal HIGH VOLTAGE DC CONTACTOR

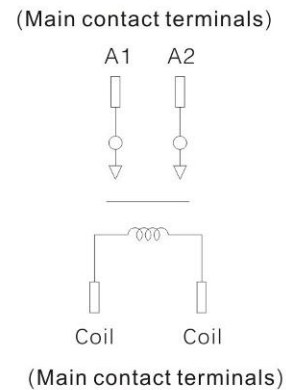


## Outline and Dimensions:



Substrate Processing		
Main contact lug mounting	Specification	M6
	Availability	provide
Torque Range	Contact base	3~4Nm
	Main contact terminals	6~8Nm

## Wiring diagram:



## Product features:

- 1、 Small size, light weight, charging capacity above 400A, DC 450V maximum switching current 2000A.
- 2、 The product is completely sealed for inner part by using Laser welding and sealing technology, which protects the coil and contact system from oxidation for a long time and has high safety.
- 3、 The technology of permanent magnet arc extinguishing is adopted to ensure high reliability.
- 4、 Implementation criteria:GB/T14048.4-2010

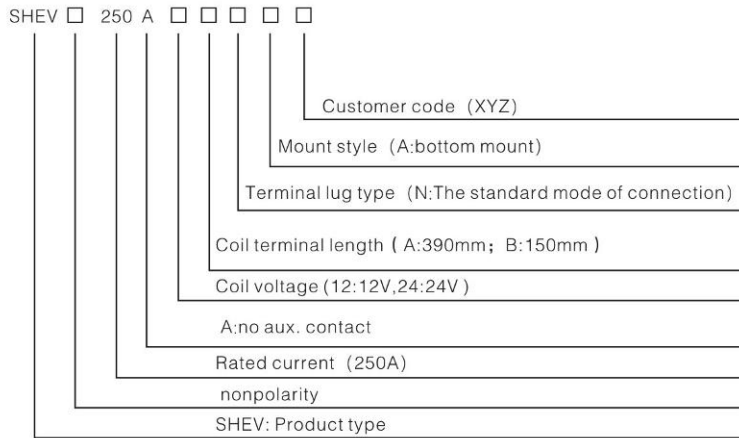
## Application:

Mainly used in high voltage main circuit, pre-charge circuit, slow charging circuit, fast charging circuit, high voltage auxiliary system of electromobile ,as well as high voltage main circuit system in charging pile, power control system of wind power, photovoltaic.

# SHEV250 Ceramic Seal HIGH VOLTAGE DC CONTACTOR



## ■ Type introduction:



## ■ Coil operating voltage:

Item	Nominal Voltage	12VDC
1	Voltage (Max.)	16VDC
2	Pickup (close) Voltage Max.	9VDC
3	Hold Voltage (Min.)	6VDC
4	Dropout (open) Voltage (Min.)	1.2VDC
5	The power consumption of the coil (20°C)	6W

## ■ Performance parameter:

category	Parameters	Units	Values
Main contactor	Contact Arrangement, Main Contacts	/	1 Form X (SPST NO DM) non - polar
	Rated Operating Voltage	VDC	12-1000
	Break Current at 450VDC	A	2000, once ( Cycle )
	Standard contact resistance ( @300A )	mΩ	≤0.5
	Dielectric withstanding voltage	VAC	2500, ( 5mA, 60s )
	At DC 1000V insulation resistance	MΩ	≥100
life	Load life	(250A/450V)	1300
		(250A/750V)	700
	Mechanical life	cycle	2*10 <sup>5</sup>
operate/ release	Operate time(includes bounce )	ms	≤30
	Release time	ms	≤10
Environ-ment	Shock, 11ms, 1/2 Sine, Peak ,operating	G	20
	Vibration , Sine, 80-2000Hz, Peak	G	5
	Operating Ambient Temperature	°C	-40 ~ +85
	Weight, Nominal	g	≤360