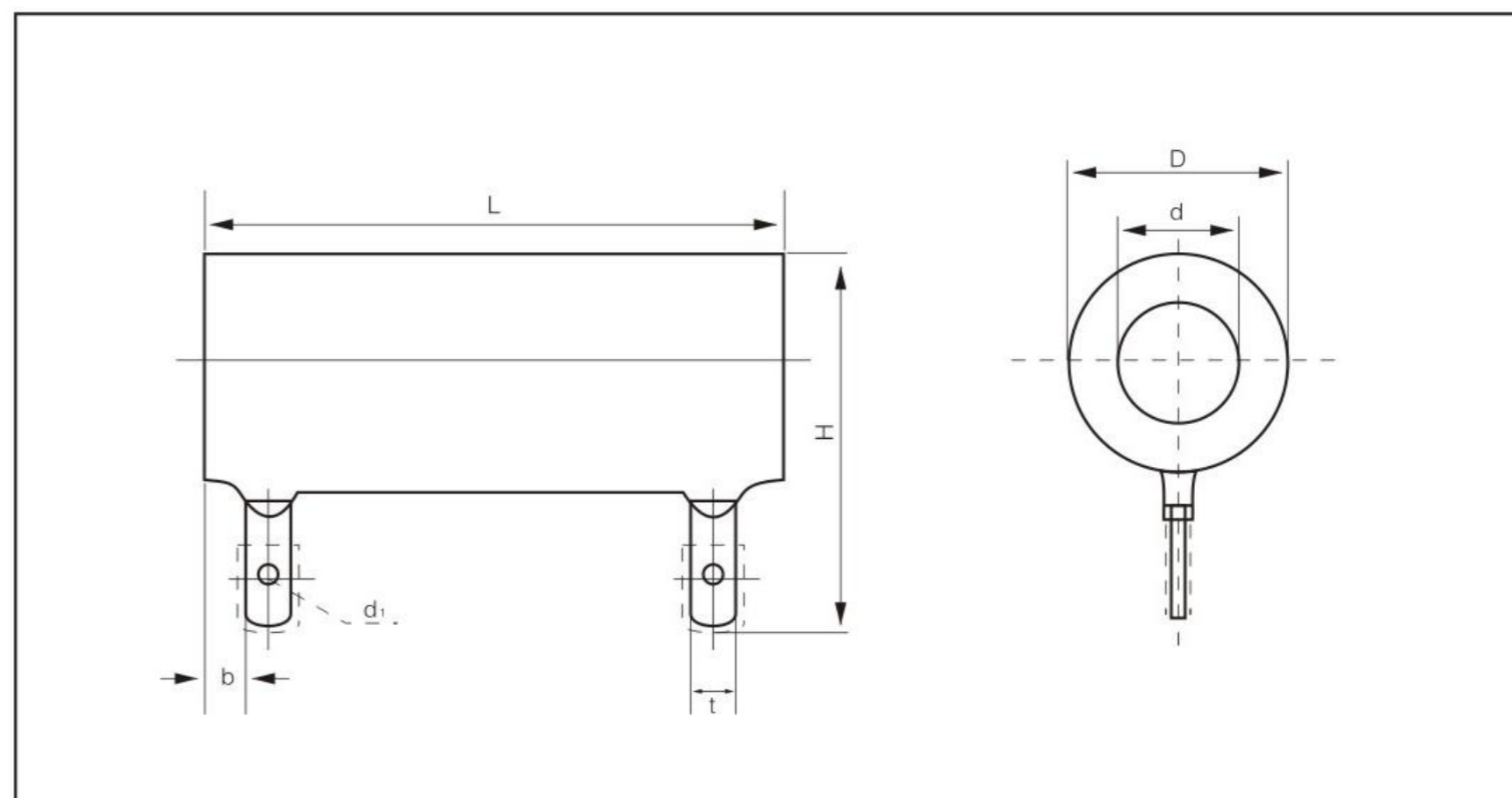




Construction(mm)



Features

- Wide power range
- Excellent high temperature load performance
- Full-welded structure
- High reliability
- Imported grey and green coating, character marking assembly and fittings(available)

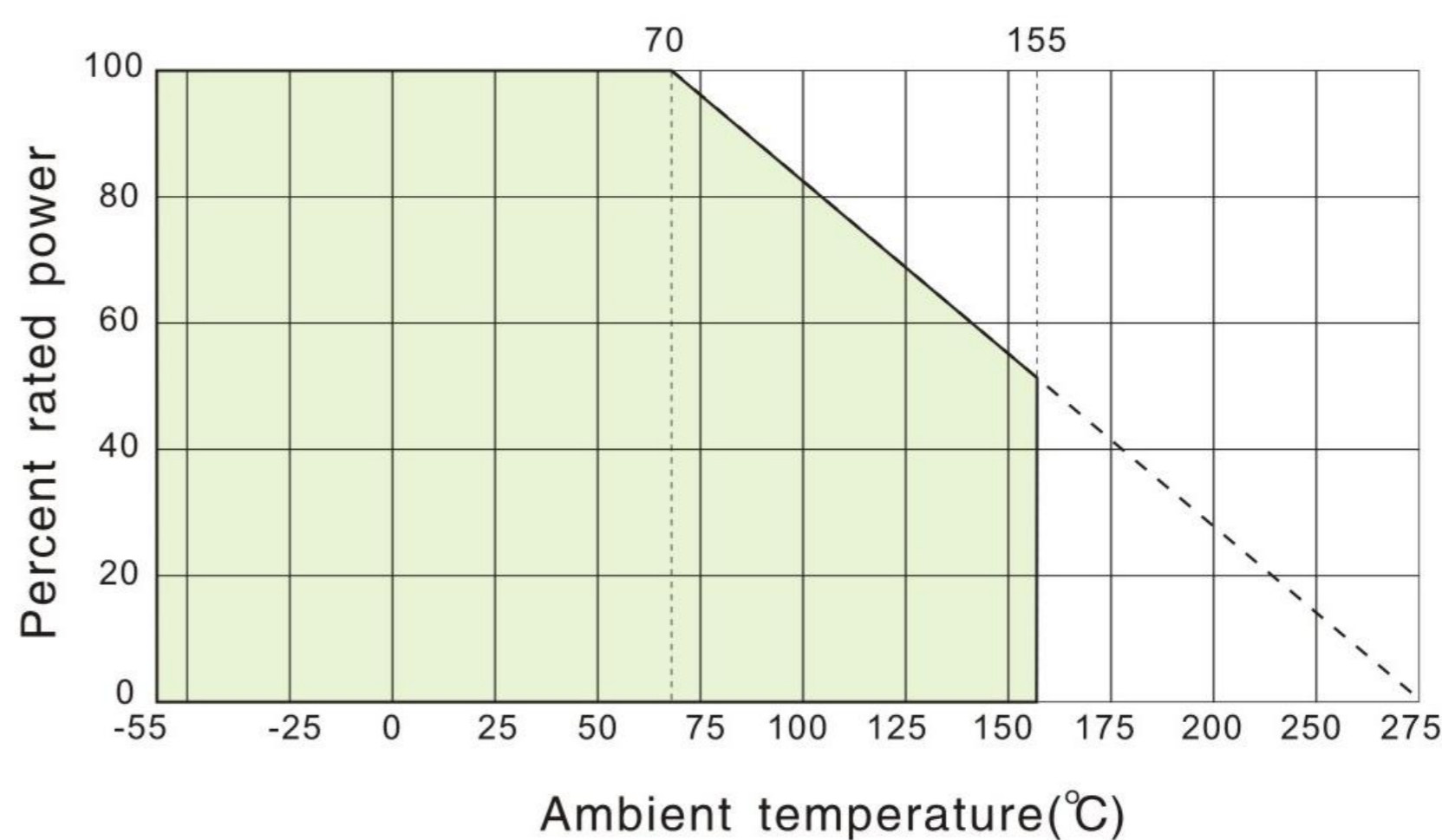
Dimensions(mm)

Type	Dimensions(mm)					
	L	D	d	H	h	ϕ
RXHGI-50W	101.6	14	8.5	8	14	4.5
RXHGI-100W	165	29	19	10	16	4.5
RXHGI-150W	216	29	19	10	16	4.5
RXHGI-200W	267	29	19	10	16	4.5
RXHGI-300W	216	34	19	10	18	5
RXHGI-400W	300	52	30	16	30	6.5
RXHGI-500W	300	60	45	16	30	6.5
RXHGI-800W	415	60	45	16	30	6.5
RXHGI-1000W	415	70	50	16	30	6.5
RXHGI-1500W	440	70	50	16	30	6.5
RXHGI-2000W	510	70	50	16	30	6.5
RXHGI-3000W	600	80	60	16	30	6.5

Applications

- Mostly used in large power supply
- Electricity equipment
- Electrical equipment
- Locomotive

Derating Curve



Reference Standards

Q/ATK054-2005

■ Technical Specifications

Type	Rated Power (W)	TCR (10 ⁻⁶ /K)	Resistance Range	Rating Ambient Temp	Operating Temp Range
			J(±5%)		
RXHGI-50W	50	±250	Customized according to customer needs	70°C	-55°C/+155°C
RXHGI-100W	100				
RXHGI-150W	150				
RXHGI-200W	200				
RXHGI-300W	300				
RXHGI-400W	400				
RXHGI-500W	500				
RXHGI-800W	800				
RXHGI-1000W	1000				
RXHGI-1500W	1500				
RXHGI-2000W	2000				
RXHGI-2500W	2500				

Please contact us for special requirement about resistance, size and specification

■ Performance

Test Item	Specifications	Test Methods
Short time overload	$\Delta R \leq \pm(1\%R + 0.05\Omega)$	10P _R , 5S
Leaching	$\Delta R \leq \pm(1\%R + 0.05\Omega)$	350±10°C, 3.5±0.5S
Endurance	$\Delta R \leq \pm(5\%R + 0.1\Omega)$	15°C~35°C, P _R , 1000h
Vibration	$\Delta R \leq \pm(5\%R + 0.1\Omega)$	10Hz~50Hz~10Hz, 2h
Surface temperature rise	≤250°C	P _R

■ How to Order

Example

RXHGI	50W	100Ω	±5%	±250(10 ⁻⁶ /K)	box
Type	Power	Nominal Value	Tolerance	TCR	Packaging
RXHGI	50W ~ 3000W	100Ω	±2% ±5%	±250(10 ⁻⁶ /K)	box