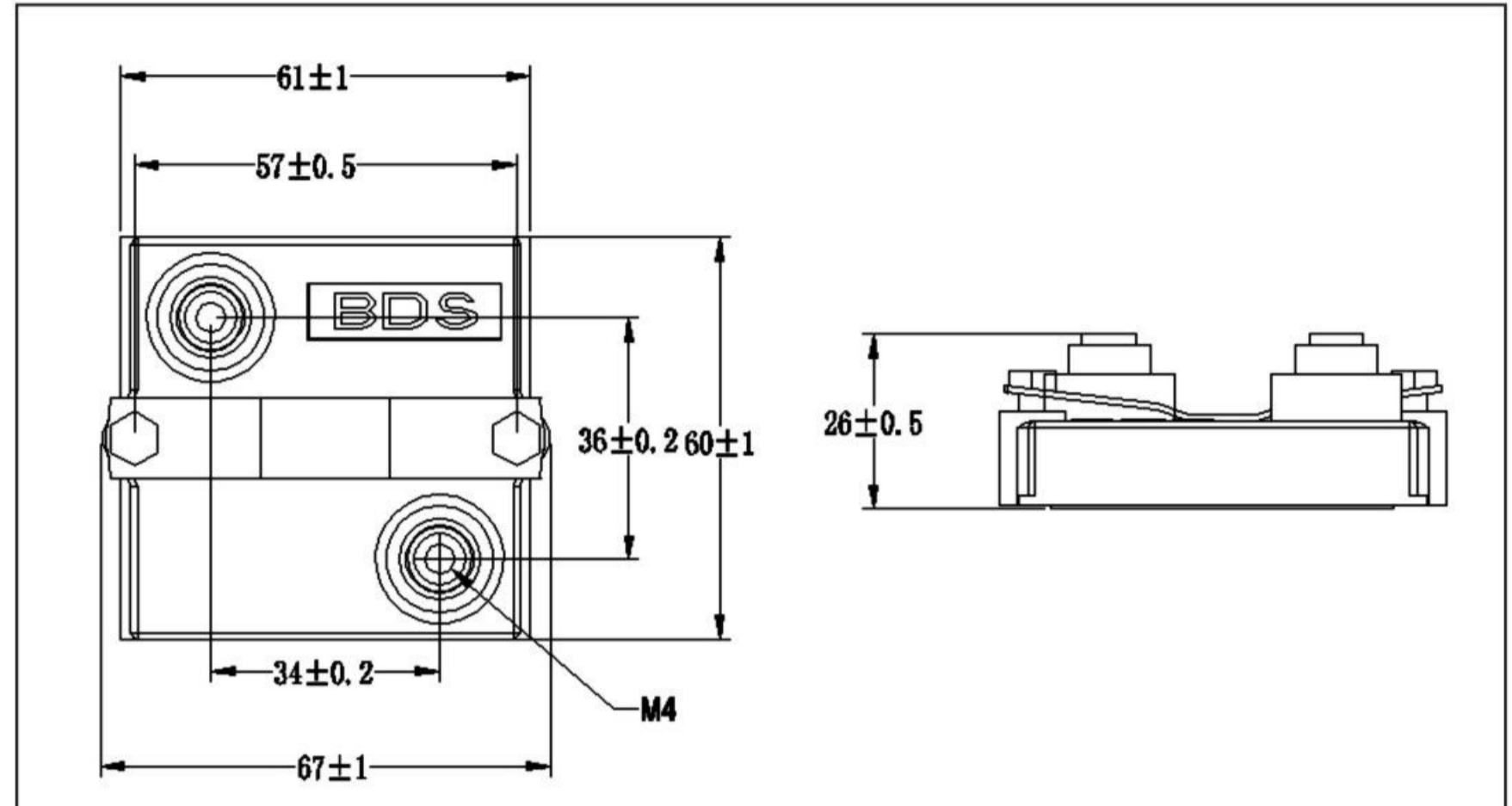


RHP600

high power thick film resistors



Construction(mm)



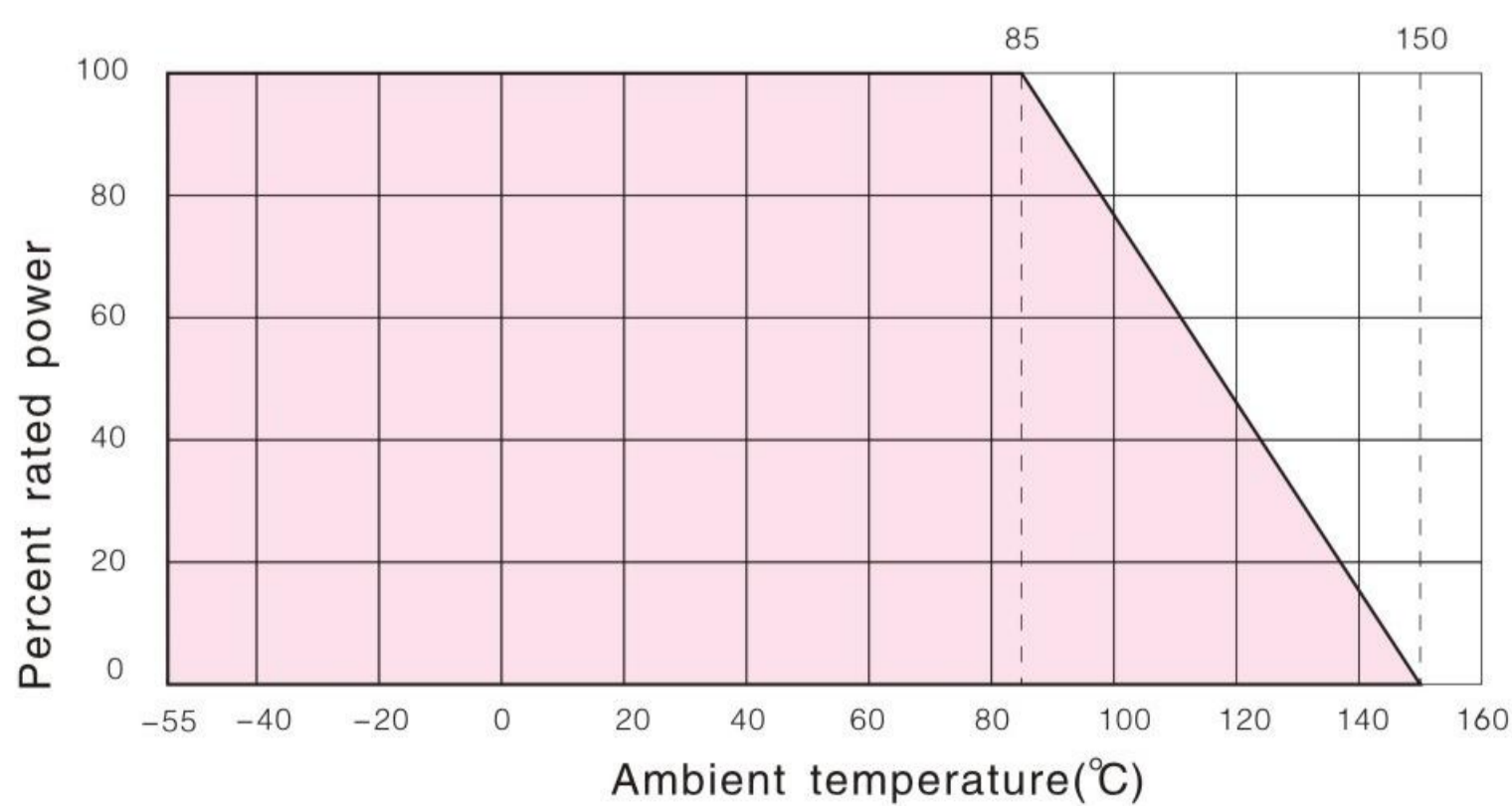
Features

- Non-inductive, wide resistance range
- High power (the temp of floor center less than 85°C, the power is 600W)
- High voltage withstanding 12KV
- Contact terminal: M4 screw, Max. torque 2Nm
- Resistor installation: M4 screw, Max. torque 2Nm
- Inductance < 80nH
- Insulation resistance 500V, 10⁴M

Applications

- Voltage power supply control equipment
- Motor controlling
- Shift drive, Frequency Converter
- Robot system

Derating Curve



RHP600

high power thick film resistors



■ Technical Specifications

Type	(85℃) Rating power	Resistance range	温度系数 TCR (10 ⁻⁶ /K)	Precision	Max work Voltage	Voltage Withstanding	Working temp
RHP	600W	R<1Ω	± 500	10%	5KV	6KV 12KV	-55℃-- +155℃
		1Ω <R<10Ω	± 300	5%			
		10Ω <R	± 150	5%			

- The condition of the above power is needed to mount a heatsink.
- Special specifications can be supplied in consultation with customers.

■ Performance

TEST ITEM	SPECIFICATIONS	TEST METHOD GB/T5729-2003 IEC60115-1:2001
Short time overload	1000W, 10秒 1000W 10s $\Delta R \leq \pm (0.3\%R + 0.05\Omega)$	4.13
Rapid temperature change	$\Delta R \leq \pm (0.5\%R + 0.05\Omega)$	4.19
Temperature cycling	$\Delta R \leq \pm (1\%R + 0.05\Omega)$	4.23
Humidity (steady States)	$\Delta R \leq \pm (0.5\%R + 0.05\Omega)$	4.24
Load life	$\Delta R \leq \pm (0.5\%R + 0.05\Omega)$	4.25.2