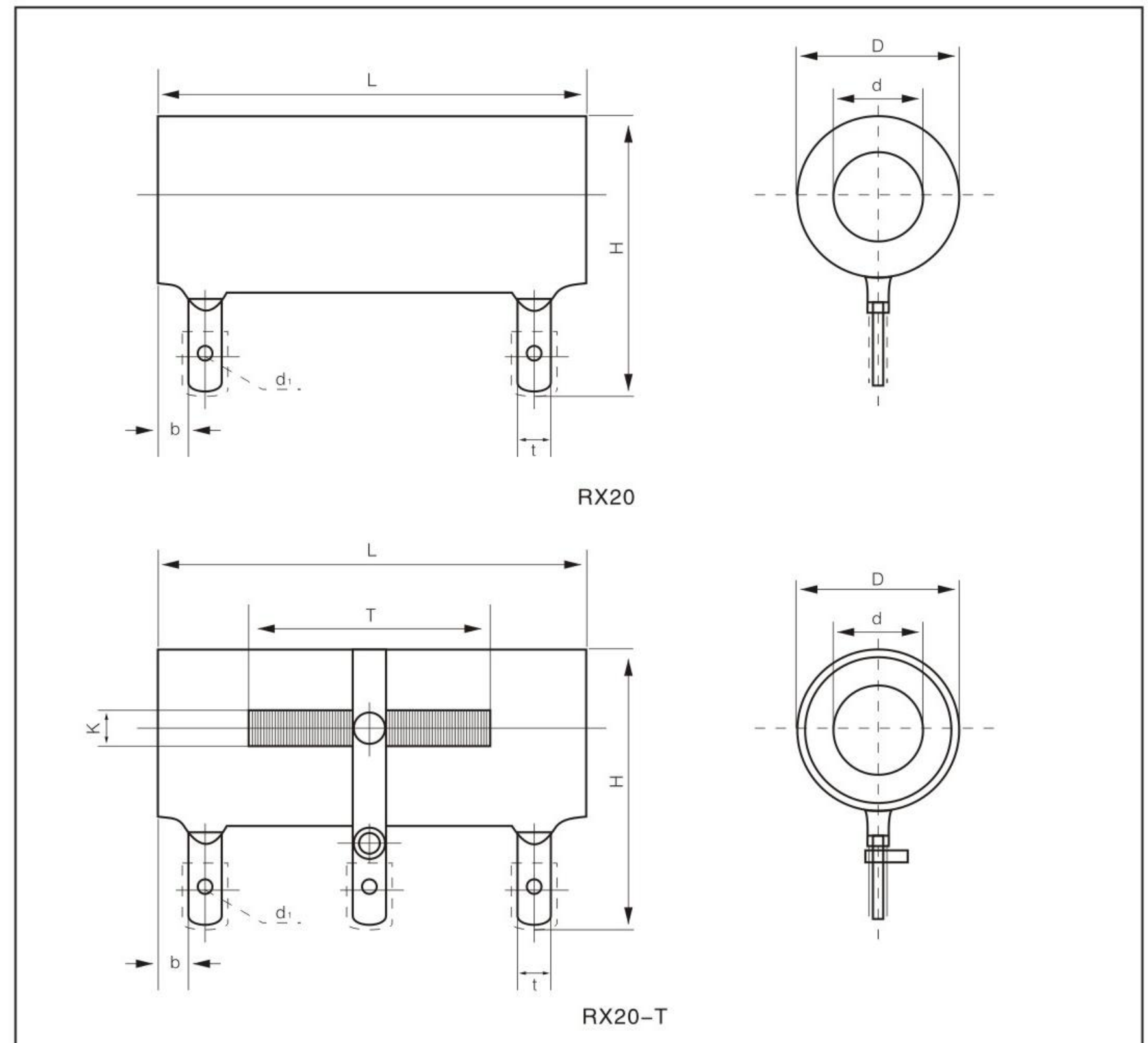


# RX20

high power vitreous enameled wire-wound resistors



## Construction



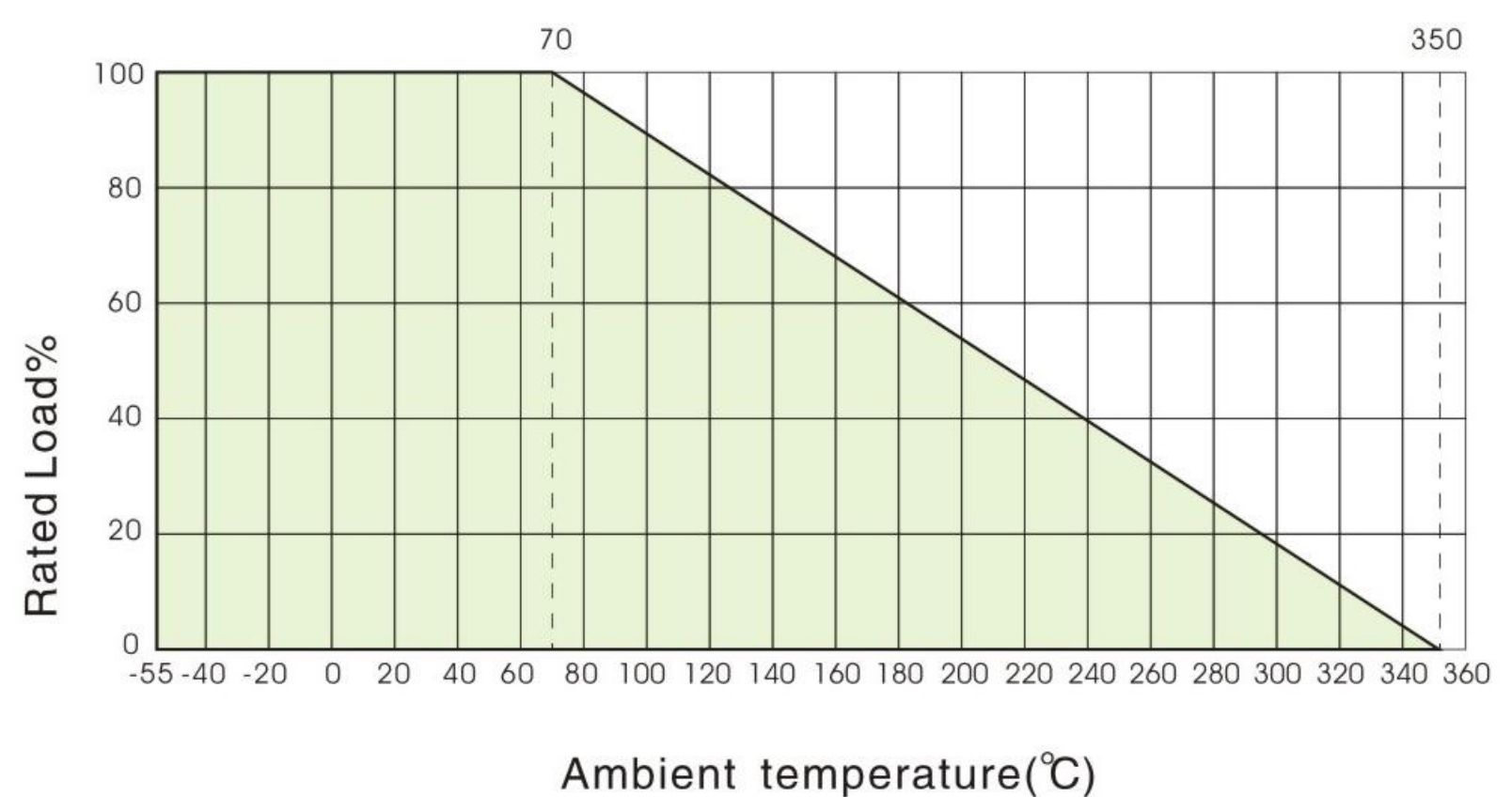
## Features

- High temperature vitreous enamel as the superficial coating
- Uses the high temperature fireproof alumina porcelain body, full-welded construction
- Excellent high temperature load performance
- T series is adjustable, N series is noninductive
- Assembly and fittings (available)

## Reference Standards

Q/ATK044-2005

## Derating Curve



## Applications

- Mostly used in large scale power supply electrical equipment, locomotive etc

## How To Order

Example

RX20	T	25W	100Ω	±5%	±250(10 <sup>-6</sup> /K)	
Type	Style	Power	Nominal Value	Tolerance	TCR	Packaging
RX20	T N	25W 300W	100Ω	±0.5% ±10%	±250(10 <sup>-6</sup> /K)	box

Our factory can also produce 400-5000W non-standard resistors according to the requirement

## ■ Dimensions(mm)

Rated Power (W)	Dimensions(mm)							
	L	D	d	H	K	b	t	d <sub>1</sub>
10	41	14	5.5	28.5	6+2	3.5	4.5	2
16	45	17	8	32	6+2	3.5	4.5	2
20	51	17	8	32	6+2	3.5	4.5	2
25	51	21	12	35	6+2	3.5	4.5	2
30	71	21	12	35	6+2	3.5	4.5	2
40	87	21	12	35	6+2	3.5	4.5	2
50	91	29	20	43	7+2	4.5	6	3.2
75	140	29	20	43	7+2	4.5	6	3.2
100	170	29	20	43	7+2	4.5	6	3.2
150	216	29	20	46	7+2	6	10	5
200	267	29	20	46	7+2	6	10	5
300	267	34	20	50	7+2	6	10	5

## ■ Technical Specifications

Rated Power (W)	Resistance Range( $\Omega$ )		TCR ( $10^{-6}/K$ )	Tolerance	Operating Temp.range
	RX20T	RX20			
10	5.1~100	5.1~10K	± 250	± 5% ± 10%	-55°C~+350°C
16	5.1~150	5.1~15K			
20	5.1~200	20~20K			
25	10~300	10~24K			
30	10~500	10~30K			
40	20~600	20~51K			
50	20~1K	20~51K			
75	20~1.5K	24~56K			
100	24~2K	24~62K			
150	27~3K	27~100K			
200	27~5K	27~110K			
300	30~6K	30~120K			